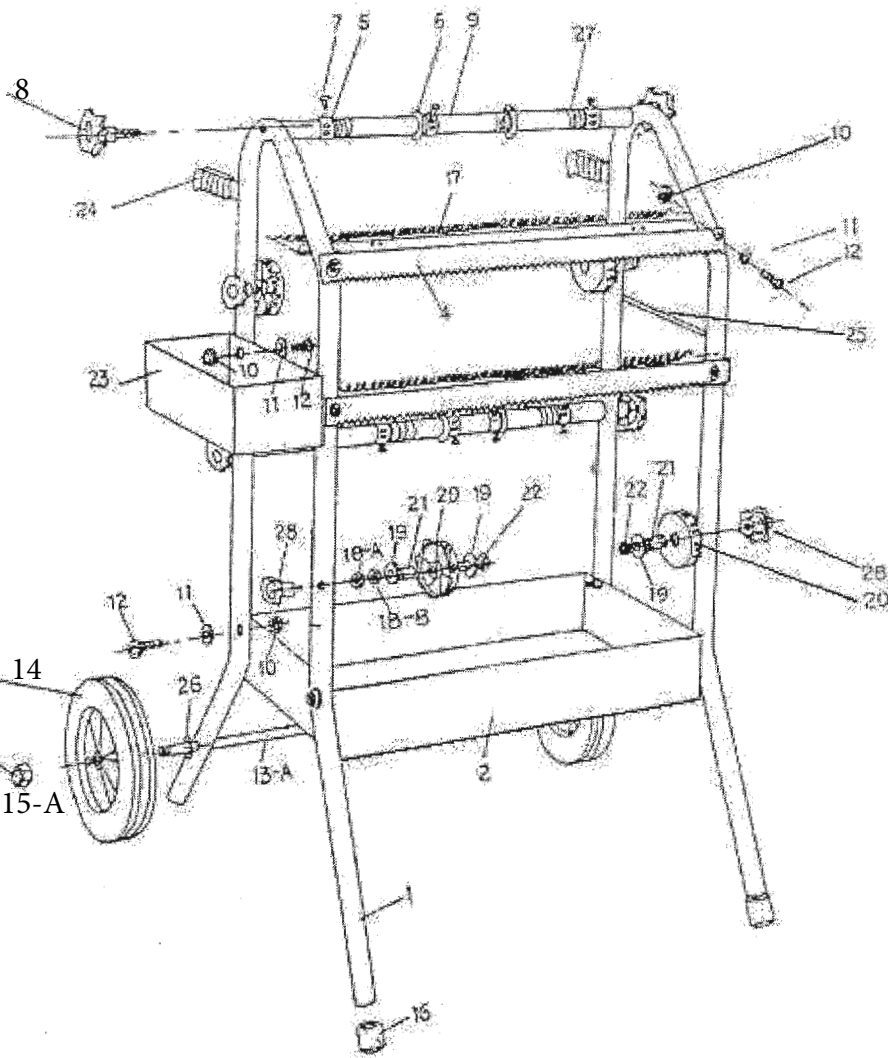


DV. 69200 MASKING MACHINE ASSEMBLY INSTRUCTIONS



1. Fasten the both side frames (No.1) as Fig. 1 shown.
2. Use bolt (No.12), washer (No.11), nut (No.10) to join bottom tray (No.2).
- 3a. (MK-66) To assemble wheel as following steps:
 - * Set wheel axle (No.13A) through side frame.
 - * Put snap ring (No.26) onto axle.
 - * Put wheel (No.14) to axle with nut (No.15A).
- 3b. (MK-67) (Refer to Fig.5)
 - * Set bolt (No.15B) through wheel (No.14) and side frame.
 - * Screw bolt into wheel axle (No.13B).
4. Assemble each paper bar (No.9) with knobs (No.8). Be aware, don't forget to set parts No.5, 6, 7, 27 as Fig.1 shown.
5. To set paper blade (No.4) with bolt (No.12), washer (No.11) and nut (No.10). Also have to fasten paper spring (No.17) onto paper blade.
6. To assemble paper blade (No.3) same as point 5 process.
7. Assemble side part box (No.23) with bolt (No.12), washer (No.11) and nut (No.10).
8. Snap tool hanger (No.25) to left side of side frame.
9. Assemble tape reel kit according to Fig. 2 shown, then inserting tape reel kit to side frame. Be sure to hold bolt (No.22) with spanner and tighten nut (No.18B) slightly.

No.	Description	Q'ty/Assy	No.	Description	Q'ty/Assy
1.	Side Frame	2	15B.	Bolt (3/8" x 3")	2
2.	Tray	1	16.	Tip Foot	2
3.	Bottom Paper Blade	1	17.	Paper Spring	2
4.	Top Paper Blade	1	18.	Hex Nut (1/4"-20)	8
5.	Paper Retainer	8	19.	Washer (1/4")	8
6.	Paper Washer	4	20.	Tape Reel	4
7.	Bluck Screw	8	21.	Hub	4
8.	Knob (5/16"-18 x 1-1/2")	4	22.	Hex Screw (1/4"-20 x 3")	4
9.	Paper Bar	2	23.	Small Tool Box	1
10.	Nut (1/4"-20)	10	24.	Handle	2
11.	Washer	10	25.	Hanger	1
12.	Bolt	10	26.	Snap Ring	2
13.	Axle	1	27.	Retaining Spring	4
14.	Wheel	2	28.	Knob	4
15A.	Push Nut	2	29.	Washer	4